

Providing Reliable Power to

# DATA CENTERS

*Where Failure Is Not An Option*

In this electronic age, storage, back-up and retrieval of data is invaluable. From megabytes to terabytes, saving information securely is a basic requirement. Data Centers are a popular solution. Providing ample space and service to house volumes of electronic information. In order to maintain consistent, reliable service, they rely on a consistent reliable source of power. Virginia Transformer is that source. Using nearly 40 years of experience and expertise, VTC has the know-how to manufacture around the clock, reliable power that will last for decades.

Meeting the requirements of the application is the first consideration. All aspects of the transformer are given full, thorough analysis. Everything from size restrictions, electrical impulses, to expectations of everyday service of the unit. While there is a library of designs to pull from, every project is customized accordingly. VTC maintains a rigid standard of quality throughout the process. Simply put, our engineers and designers will develop the best transformer for the job with the best quality, and the very best service.



ISO 9001-2008 Certified

**F**or nearly 40 years VTC has been making custom-built power transformers. Our history in specialty design laid the foundation for a solid engineering based company specializing in transformer and reactor solutions for industrial, commercial and utility applications. The NEW Virginia Transformer now operates 3 manufacturing facilities in North America to service our global markets. Our success comes not only through our dedication to producing a top quality product, but equally through innovations in our processes driving us to the forefront of our markets.



Corporate/National Sales Office  
220 Glade View Drive, Roanoke, VA 24012  
540.345.9892 – Fax 540.342.7694  
[sales@vatransformer.com](mailto:sales@vatransformer.com)

[www.vatransformer.com](http://www.vatransformer.com)

# HISTORY



- 1971 – VTC established
- 1982 – Current president assumes management
- 1989 – Manufactures first LTC transformer
- 1995 – Opened 2nd manufacturing facility in Chihuahua, Mexico
- 1997 – First achieves ISO 9001 certification
- 2003 – Acquired medium power transformer facility, Pocatello, Idaho

## WHAT VTC DOES

Providing successful solutions means having the right selection of products. VTC offers a wide range of products, and the ability to customize each one to meet specific needs. VTC meets demanding system requirements such as space constraint, special voltage configurations and tough environmental conditions. Our ability to exceed these needs has gained VTC a solid reputation in supplying power transformers.

Providing High quality, long life units starts with our strength in engineering. VTC boasts a team of engineers that are part of our process from electrical to mechanical to sales application. These resources set VTC apart. All our designs are custom made to client specifications. Through automation, experience and intelligence, we are able to develop the best design for each individual need. We look at all the details of the transformer design to assure electrical and magnetic performance to optimize every phase of production.

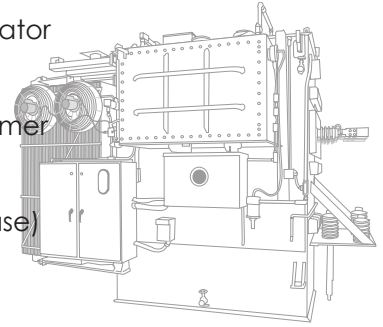
Markets serviced include, Commercial, Industrial, Utility, Export and Renewable Energy (Wind, Solar and Geo-Thermal).

## MARKET REPRESENTATION

Virginia Transformer Corp uses a network of knowledgeable independent Manufacturers Representatives to support customers and create client satisfaction. Our representatives augment our team of Sales Engineers and Application Engineers who work with our clients to provide the right transformer for their application.

## SPECIAL APPLICATION RELATED TRANSFORMERS

- Three Phase Voltage Regulator
- Single Phase Transformer
- Zig Zag Grounding Transformer
- Scott Tee Connected  
(Converts 3 phase to 2 phase)
- Load Tap Changing
- Autotransformer
- Multi-Winding Secondary/Drive Duty/Rectifier
- "Green" Transformers (Ultra High Efficiency)
- Large Special Pad Mount



## VT DATA CENTER PROJECTS

**NASA** (Ames Research Center)  
(2) 15 MVA, 125.6 kV, LTC

**Johnson & Johnson**  
(2) 15 MVA 26.4kV, Mineral Oil

**Topaz**  
(2) 22 MVA 138 kV, LTC

**Oracle**  
(2) 15 MVA, 138 kV, LTC

**Citigroup**  
(2) 10 MVA, 26.4 kV, FR3

**Symantec**  
(2) 10 MVA, 46 kV, LTC & FR3

**Goldman Sachs**  
(2) 20 MVA, 26.4 kV, Beta Fluid

**Bear Stearns**  
(2) 16 MVA, 34.5 kV, LTC & Silicone

**AT & T**  
7.5 MVA, 34.5 kV, LTC

**McGraw-Hill**  
(2) 15 MVA, 34.5 kV, LTC & Beta Fluid

**JP Morgan Chase**  
(2) 20 MVA, 26.4 kV, Mineral Oil

**AT & T**  
12 MVA, 26.4 kV, Mineral Oil

**AT & T**  
(2) 20 MVA, 24.9 kV, Mineral Oil