



OIL & GAS
CLIENTS

EXXON MOBIL

HESS

MARATHON

SHELL/MOTIVA

CONOCO PHILLIPS

CHEVRON

VALERO

EPCO

TRANSCANADIAN
PIPELINE

ENBRIDGE

SUNOCO

TEXAS
PETROLEUM

and others



ISO 9001-2008 Certified

Providing Reliable Power for

OIL & GAS

Virginia Transformer is a major contributor supplying transformers and power distribution to one of the most significant sectors of industry in the world today, Oil & Gas.

From drive specialty units to offshore platforms VTC has the ingenuity, expertise and experience to provide solutions for the diverse and demanding conditions in all areas of this industry. We provide transformers for applications from 300 kVA to 100 MVA, 230kV class. We've been part of LNG plants as well as pumping and compression substations.

VTC has been moving forward to become a leading supplier of power transformers, world wide.

VTC is a one-stop-shop for the transformer industry.

Innovations continue at VTC that expand our capabilities beyond

other suppliers in all areas of the manufacturing process.

The standard of quality begins with engineering at VTC. We are an engineering company manufacturing transformers. Through improvements in the automation processes, lead times are revolutionized. Our abilities to retrofit and meet size constraints are unmatched. VTC has evolved this process for nearly 40 years and today has more to offer the oil & gas industries than ever before. Virginia Transformer has been part of many specialized projects for the oil & gas industry from refineries to pipelines. We've supplied multiple units for many of these projects. Whatever the requirements Virginia Transformer has a broad product range to offer the best custom transformer.

When you need a power transformer, remember Virginia Transformer. We have the experience for the future.

For nearly 40 years VTC has been making custom-built power transformers. Our history in specialty design laid the foundation for a solid engineering based company specializing in transformer and reactor solutions for industrial, commercial and utility applications.

The *NEW* Virginia Transformer now operates 3 manufacturing facilities in North America to service our global markets.

Our success comes not only through our dedication to producing a top quality product, but equally through innovations in our processes driving us to the forefront of our markets.



Corporate/National Sales Office
220 Glade View Drive, Roanoke, VA 24012
540.345.9892 – Fax 540.342.7694
sales@vatransformer.com

"The Commitment Company"

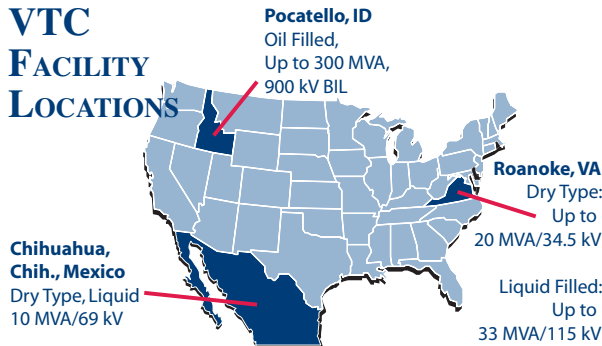
www.vatransformer.com

HISTORY

- 1971 – VTC established
- 1982 – Current president assumes management
- 1989 – Manufactures first LTC transformer
- 1995 – Opened 2nd manufacturing facility in Chihuahua, Mexico
- 1997 – First achieves ISO 9001 certification
- 2003 – Acquired power transformer facility, Pocatello, Idaho



VTC FACILITY LOCATIONS



WHAT VTC DOES

Providing successful solutions means having the right selection of products. VTC offers a wide range of products, and the ability to customize each one to meet specific needs. VTC meets demanding system requirements such as space constraint, special voltage configurations and tough environmental conditions. Our ability to exceed these needs has gained VTC a solid reputation in supplying power transformers.

Providing High quality, long life units starts with our strength in engineering. VTC boasts a team of engineers that are part of our process from electrical to mechanical to sales application. These resources set VTC apart. All our designs are custom made to client specifications. Through automation, experience and intelligence, we are able to develop the best design for each individual need. We look at all the details of the transformer design to assure electrical and magnetic performance to optimize every phase of production.

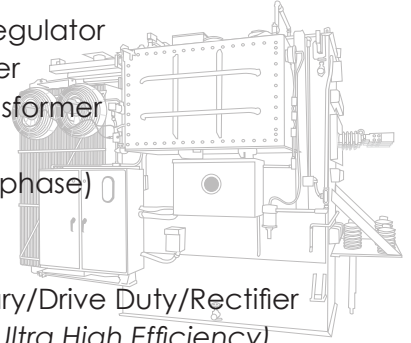
Markets serviced include, Commercial, Government Industrial, Utility, Export and Renewable Energy. Renewable Energy includes, Wind, Solar and Geo-Thermal.

MARKET REPRESENTATION

Virginia Transformer Corp uses a network of knowledgeable independent Manufacturers Representatives to support customers and create client satisfaction. Our representatives augment our team of Sales Engineers and Application Engineers who work with our clients to provide the right transformer for their application.

ADDITIONAL SPECIAL APPLICATION TRANSFORMERS

- Three Phase Voltage Regulator
- Single Phase Transformer
- Zig Zag Grounding Transformer
- Scott Tee Connected (Converts 3 phase to 2 phase)
- Load Tap Changing
- Autotransformer
- Multi-Winding Secondary/Drive Duty/Rectifier
- "Green" Transformers (Ultra High Efficiency)
- Large Specialty Pad Mount



SOME RECENT VTC OIL & GAS PROJECTS

- ❖ BECHTEL – SABINE PASS LNG – (3) 1000 kVA, 13.8 kV
MULTIPLE UNITS
PHASE I & II (16) 12 MVA, 13.8 kV
(2) 2500 KVA, 13.8 kV
(2) 2500 KVA, 4.16 kV
- ❖ BECHTEL-JACOBS/MOTIVA-PORT ARTHUR EXPANSION – 86 UNITS 10 MVA AND BELOW; 34.5 kV, 13.8 kV, 4.16 kV
- ❖ FLUOR/TESORO WILMINGTON REFINERY – (2) 5 MVA, 13.8 kV
(2) 2 MVA, 13.8 kV
- ❖ LIMA REFINING CO. – 20 MVA, 34.5 kV, Beta Fluid
- ❖ MUSTANG/IAG SANDRIDGE PROJECT– (4) 20 MVA, 13.8 kV
(3) 2500 kVA
- ❖ AKER/GULF LNG – (2) 13.4 MVA, 13.8 kV
1000 kVA, 4.16 kV
(2) 2500 kVA, 4.16 kV
(2) 500 kVA, 4.16 kV
38 MVA, 23 kV
- ❖ EXXON MOBIL-BAYTOWN – (3) 30 MVA, 138 kV, LTC
- ❖ POWELL/CHEVRON TAHITI PROJECT – (2) 2000 kVA, 6.9 kV
(2) 4000 kVA, 6.9 kV
- ❖ AUBREY SILVEY/QUICKSILVER – (2) 50 MVA, 138 kV, LTC
- ❖ CBI/LNG TERMINAL EXPANSION – 20 MVA, 13.8 kV
7.5 MVA, 13.8 kV
750, kVA, 4.16 kV
500 kVA, 4.16 kV
- ❖ SYNCRUDE OIL/TAR SANDS PIPE LINE - (4) 5000 KVA, 34.5 kV
- ❖ ENBRIDGE OIL PUMPING STATIONS from Alberta to MN and IL
18 UNITS up to 20 MVA. 35 kV, 115 kV, 138 kV
- ❖ ANDARKO PETROLEUM GAS PIPE LINE COMPRESSION – UT and WY
(5) 20 MVA, 34.5 kV, 1 10 MVA, 24.9 kV
- ❖ TCPL – OIL PIPE LINE PUMPING STATIONS from Hardisty in Alberta to Cushing in Oklahoma and Patoka in Illinois (20) 10 MVA, 138 kV, 230 kV